

HALO RING SERIES PROJECTOR  
LED PENDANT LAMP



HALO RING SERIES PROJECTOR  
LED PENDANT LAMP



IP20 | CE | CB | | |

Gearbox: steel  
Body: aluminium  
Housing: aluminium  
Optic: PC Diffuser

White Black



ORDERING CODE	Power (W)	CCT (K)	Hot Lumen (Lm)	LOR (%)	Size (MM)	DRIVER			
						On/Off	1-10V	DALI	Triac
<b>HCUP600-W/B</b>	60	3000 4000	1349 1425	70%	∅600	✓	✓	✓	✓
<b>HCUP800-W/B</b>	80	3000 4000	1800 1890	70%	∅800	✓	✓	✓	✓
<b>HCUP1200-W/B</b>	120	3000 4000	1349 1425	70%	∅1200	✓	✓	✓	✓



IP20 | CE | CB | | |

Gearbox: steel  
Body: aluminium  
Housing: aluminium  
Optic: PC Diffuser

White Black



ORDERING CODE	Power (W)	CCT (K)	Hot Lumen (Lm)	LOR (%)	Size (MM)	DRIVER			
						On/Off	1-10V	DALI	Triac
<b>HADP640-W/B</b>	32	3000 4000	1800 1890	55%	∅400+∅600	✓	✓	✓	✓
<b>HADP860-W/B</b>	55	3000 4000	3149 3315	55%	∅800+∅600	✓	✓	✓	✓

**HALO RING SERIES PROJECTOR  
LED PENDANT LAMP**



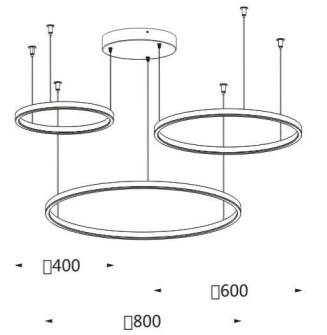
**HALO RING SERIES PROJECTOR  
LED PENDANT LAMP**



IP20 | CE | CB | | |

Ceiling canopy: steel  
Body: aluminium  
Housing: aluminium  
Optic: PC Diffuser

White  
 Black



ORDERING CODE	Power (W)	Beam Angle (°)	CCT (K)	Hot Lumen (Lm)	LOR (%)	Size (MM)	On/Off	DRIVER 1-10V	DALI	Triac
<b>HADP864-W/B</b>	70	120	3000 4000	3935 4145	55%	400 600 800	✓	✓	✓	✓

